



SRP CRANE CONTROLS (INDIA) PVT. LTD.

SRP CRANE CONTROLS (INDIA) PVT. LTD.

Corporate Office and Works :

Survey No. 202, Jaydev Industrial Estate, Plot No. 39, Opp. Inova Cast,
Essen Road, Veraval (Shapar), Rajkot - 360024. (Gujarat) INDIA.

☎ +91 8200 9595 93 , +91 8000 7888 73, +91 9558 5572 93
✉ sales@srpcranecontrols.com

AHMEDABAD

Shed No 8, Unique Industrial Park, Ramol Express
Highway Over Bridge, Vatva Gidc Road,
Ahmedabad - 382449, Gujarat.

☎ +91 98799 98013
✉ amd@srpcranecontrols.com

BANGALORE

No 14, 1st Main Road, Shivapura , Industrial Area,
Peenya 2nd Phase , Bangalore - 560 058.

☎ +91 98799 93013
✉blr@srpcranecontrols.com

DELHI

EG -223, Sanjay Gandhi Transport Nagar,
Delhi, 110042

☎ +91 98799 19013
✉ ranjeet@srpcranecontrols.com

🌐 www.srpcranecontrols.com | www.srpcrane.com | www.srpcranecontrols.in



Industrial crane & control Equipments

AN ISO
9001:2015
Certified Company



Our Sectors



Power Plant



Ports



Chemical Industries



Crane Industries

Our Affiliations



COMPANY PROFILE

SRP CRANE CONTROLS (INDIA) PRIVATE LIMITED is a renowned manufacturer and exporter of a wide range of industrial crane control solutions. With over 100+ products, including wireless radio remotes, pendant stations, push buttons, current collectors, cable trolleys, C rail festoon systems, DSL Busbar system, and more.

At SRP, we are dedicated to delivering the highest level of quality, reliability, customer service, and technical support to our clients. To ensure that we maintain the highest standards of excellence, we have earned several certifications, including MSME:ZED Gold, TÜV SÜD ISO 9001:2015, D-U-N-S Certificate, ISO 14001:2015, ISO 45001:2018 and ISO 50001:2011.

SRP CRANE CONTROLS (INDIA) PRIVATE LIMITED has a team of experienced engineers and technicians who work tirelessly to design and manufacture innovative and reliable crane control solutions. we have earned the trust of companies in India and beyond, spanning across Europe, the Middle East, Asia, and Africa, by prioritizing customer satisfaction and continually improving their products and services.



**WE DON'T JUST DREAM,
 WE MAKE IT HAPPEN**

Industrial crane & control Equipments

DSL Shrouded Busbar System



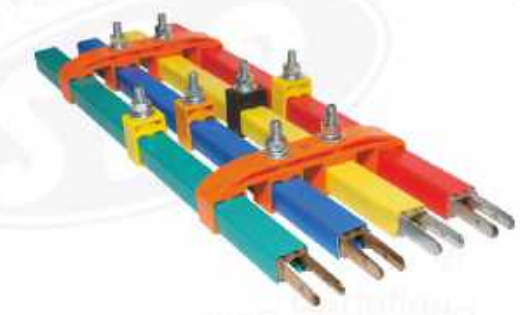
Bolt Joint Busbar

(W Type) 4.5 Mtr Long

- Max. working temp. 80° C
- Safe movement
- Quick & Easy Installation
- Finger safe / Touch proof
- Suitable for indoor and outdoor installation
- Expansion joint can be provided on request
- Individual Phase
- Multiple Crane Move on one bay length
- Curved path available
- No breakdown
- Individual Accessories parts Available



Technical Data For W Type BOLTED JOINT Conductor System								
Conductor Bar System	Galvanized Steel			Copper			Aluminium / SS	
Nominal Current (A) At 100% Duty and 35°C	60	100	125	160	250	400	200	315
Product Code	BJB-01-9000		BJB-02-9000	BJB-03-9000	BJB-04-9000	BJB-05-9000	BJB-06-9000	BJB-06-9000
DC resistance (Λ/M) At + 35°C	0.003584	0.002867	0.001933	0.000342	0.000274	0.000184	0.000301	0.000261
Impedance (Λ/M) At + 35°C	0.003604	0.002891	0.001968	0.000364	0.000300	0.000221	0.000325	0.000288
Voltage Grade [V]	600							
Support Spacing [mm]	1125							
Bar Length [mm]	4500							
Outside Dimensions [mm]	23 X 27							
Permissible Ambient Temperature	-30 C + 55 C (Standard Insulation) -30 C + 85 C (High Temperature Insulation)							



Pin Joint Busbar

(M Type 100-315 Amps) 4 Mtr. Long

- Max. working temp. 80° C
- Safe movement
- Quick & Easy Installation
- Touch proof, no exposed live part
- Suitable for indoor and outdoor installation

Conductor Busbar System	Galvanized	Copper		
Current (A)	125 Amp	160 Amp	250 Amp	315 Amp
Product Code	PJB-01-9000	PJB-02-9000	PJB-03-9000	PJB-04-9000



4 Pole Hanger (W Type)
DSL-01-9000



3 Pole Hanger
DSL-02-9000



1 Pole Hanger
DSL-03-9000



Joint Cover
DSL-04-9000



End Power Feed
DSL-05-P00001



End Cap
DSL-05-P00002



Steel Joints
DSL-05-A002 (2 Bolt)
DSL-06-9000 (4 Bolt)



Copper Joints
DSL-07-A001 (2 Bolt)
DSL-08-9000 (4 Bolt)



Aluminium Joints
DSL-09-A001 (2 Bolt)
DSL-10-9000 (4 Bolt)



Mounting Angle
DSL-01-9000 (400mm)
DSL-02-9000 (500mm)
DSL-03-9000 (550mm)
DSL-04-9000 (600mm)



Single Collector Bracket
SCB-01-9000



4 Pole Hanger (M Type)
DSL-1.1-9000



3 Pole Hanger
DSL-2.1-9000



1 Pole Hanger
DSL-3.1-9000



Joint Cover
DSL-4.1-9000



End Power Feed
DSL-05-P00001



End Cap
DSL-05-P00002



Mounting Angle
DSL-01-9000 (400mm)
DSL-02-9000 (500mm)
DSL-03-9000 (550mm)
DSL-04-9000 (600mm)



Single Collector Bracket
SCB-01-9000



Jointing Tool
PJT-01-9000

DSL Shrouded Busbar System



SHROUDED CONDUCTOR TECHNICAL DATA SHEET							
Nominal Current (A) At 100% Duty and 35°C	500A	800A	1000A	500A	800A	1000A	1200A
Material	Aluminum With S.S Strip			Copper			
Product Code	BJB-07-9000	BJB-08-9000	BJB-09-9000	-	-	-	-
Impedance milli Ohms/M +35°C	0.158	0.145	0.138	0.162	0.137	0.128	0.128
DC resistance milli Ohms/M +35°C	0.098	0.075	0.052	0.106	0.059	0.035	0.035
Standard Conductor Length	4 Mtr	4 Mtr	4 Mtr	4.5 Mtr	4.5 Mtr	4.5 Mtr	4.5 Mtr
Conductor Joint	BOLTED	BOLTED	BOLTED	BOLTED	BOLTED	BOLTED	BOLTED
Conductor Rating At 100% +35°C	500A	800A	1000A	500A	800A	1000A	1200A

Current Collector For EOT Crane



Model No. SRP CC-01
Current Collector (60Amps to 125Amps)
CCC-01-9000 (New)
CCC-02-9000 (Old)

Model No. SRP CC-04
Current Collector (400Amps)
BOI-CC-000001

Model No. SRP CC-03
Current Collector (250Amps to 400Amps)
CCC-03-9000

Box Type DSL Busbar System



Conductor Rating +35°C cdf 100%	40A	60A	70A	100A	140A	200A
Impedance milli Ohms/M +35°C	17.9	11.38	11.01	7.87	5.55	3.67
DC resistance milli Ohms/M +35°C	17	11.33	10.96	7.83	5.43	3.65
Copper Strip Section (mm)	10	15	15.5	21.7	31	46.5



Copper Shoe Holder With Stud (New - 125amp)
CSH-01-9000



Copper Shoe Holder (New - 125amp)
CSH-01C-9000



Copper Shoe Holder With Stud (Old - 125amp)
CSH-02-9000



Copper Shoe Holder & Bracket (Old - 125amp)
CSH-02D-9000

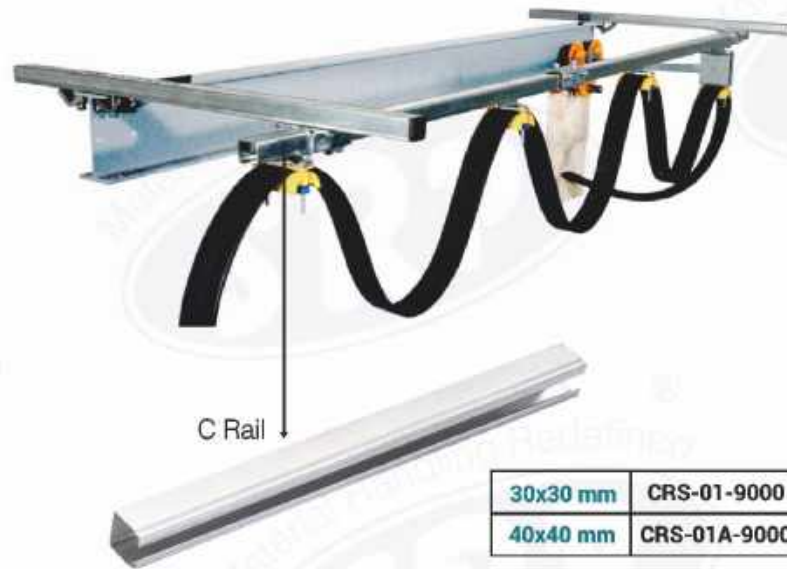


Copper Shoe & Shoe Bracket (Old - 125amp)
CSH-02C-9000



Copper Shoe Holder With Stud - 250 amp
CSH-03-9000

C Rail Festoon System



30x30 mm	CRS-01-9000
40x40 mm	CRS-01A-9000

Festoon system are used to manage electrical cable on over head cranes for transmission of power & control cables. They are low resistance method for distributing power to hoists, cranes, trolleys and any number of different types of moving equipment.

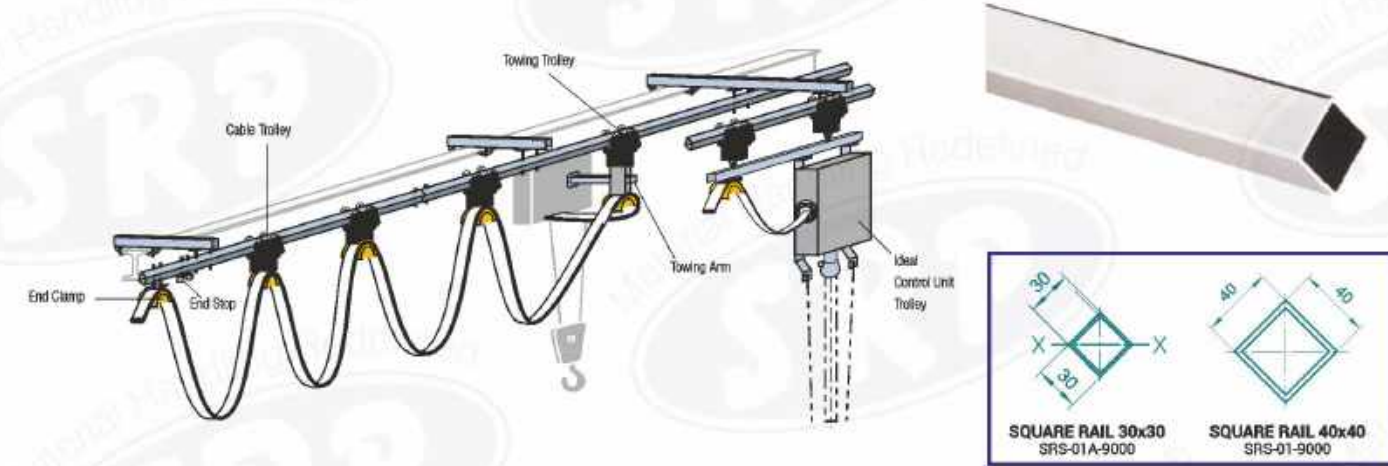
APPLICATION

- Overhead Cranes & Port Cranes
- To Electrify many mobile equipments
- Any other material handling equipments

FEATURES

- Light Weighted
- Less Friction & Smooth Motion
- Simple & Safe Installation

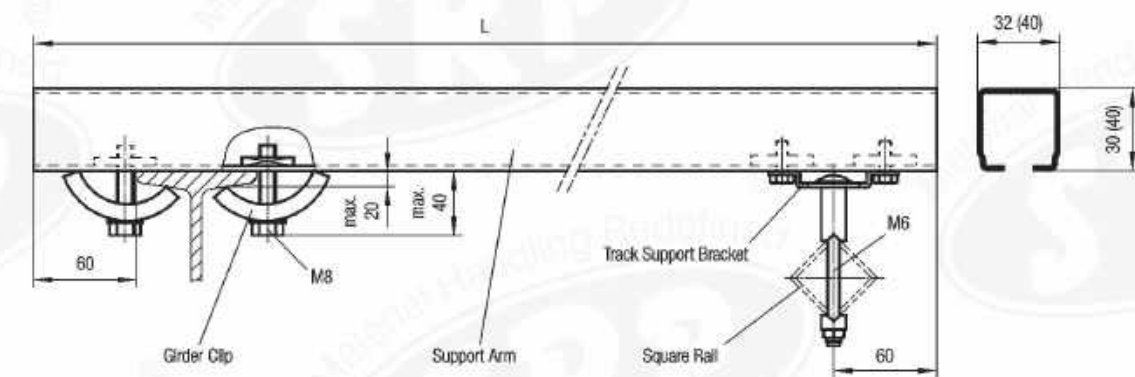
Square Rails Festoon System



30X30 MM



40X40MM






Industrial crane & control Equipments

Crane Pendant Push Button Stations

Pendant Stations for control circuits
Single Row IP65

- Contact Element
-  Emergency Contact Switch
SSP-01-A002
 -  Single Speed Contact Switch
SSP-01-A001
 -  Double Speed Contact Switch
DSP-01-A001
 -  Dual Speed



Single Row - Single Speed Pendant Station



SRP PS-S2
2 Single Speed Push Buttons
with Mechanical Interlock +
Emergency Stop (2+1)



SRP PS-S4
4 Single Speed Push Buttons
with Mechanical Interlock +
Emergency Stop (4+1)



SRP PS-S6A
6 Single Speed Push Buttons
with Mechanical Interlock +
Emergency Stop (6+1)



SRP PS-S6B
6 Single Speed Push Buttons
with Mechanical Interlock +
Emergency Stop + Start (6+2)



SRP PS-S8
8 Single Speed Push Buttons
with Mechanical Interlock +
Emergency Stop + Start (8+2)

Difference between SRP Pendant Station & Others

SRP Make	Others Make
Price (Low)	Price (High)
1 Year Guarantee	No Guarantee
I. P. 65 (100% Water Proof)	It may be rain proof not water proof
3 Step Safety	Less safety
Unbreakable (Engineering Grade Virgin Material)	Not all comes with this quality
Heavy Duty Element with Silver Contact (It Provides High Conductivity)	Mixed quality with no specification
ISO, CE Certified	Not at all / having any one or two
Each and Every Parts Made Under One Roof in Our Factory	Not in other company (Compare to us)
The Special Hand Grip of the pendant station permits operators to work in a natural position, reducing their fatigue.	Not in other company (Compare to us)
Flexible Movement of Switches with High Switching Capacity	Not in other company (Compare to us)

Single Row - Double Speed Pendant Station



SRP PS-D2
2 Double Speed Push Buttons
with Mechanical Interlock +
Emergency Stop (2+1)



SRP PS-D4
4 Double Speed Push Buttons
with Mechanical Interlock +
Emergency Stop (4+1)



SRP PS-D6A
6 Double Speed Push Buttons
with Mechanical Interlock +
Emergency Stop (6+1)



SRP PS-D6B
6 Double Speed Push Buttons
with Mechanical Interlock +
Emergency Stop + Start (6+2)



SRP PS-D8
8 Double Speed Push Buttons
with Mechanical Interlock +
Emergency Stop + Start (8+2)



Industrial crane & control Equipments

SRP Single Phase Pendant Push Buttons

Used in Chain Hoist (SPP-01-9000)

2 Push Buttons with Mechanical Interlock + Emergency Stop (2+1)



Rope Wheel / Elevator Wheel / Gym Wheel / Metal Wheel

Gym Wheel



Dia - 2.00 Inch GWB-02-9000 Dia - 2.75 Inch GWB-03-9000 Dia - 3.50 Inch GWB-04-9000 Dia - 4.00 Inch GWB-05-9000 Dia - 5.00 Inch GWB-06-9000

Rope Wheel



SQUARE TYPE
Dia - 2 Inch RWF-01-9000 Dia - 2.25 Inch RWF-02-9000 Dia - 2.75 Inch RWF-03-9000 Dia - 3.50 Inch RWF-04-9000 Dia - 4.00 Inch RWF-05-9000

U TYPE
Dia - 38mm RWU-01-9000 Dia - 48mm RWU-02-9000 Dia - 58mm RWU-03-9000 Dia - 72mm RWU-04-9000

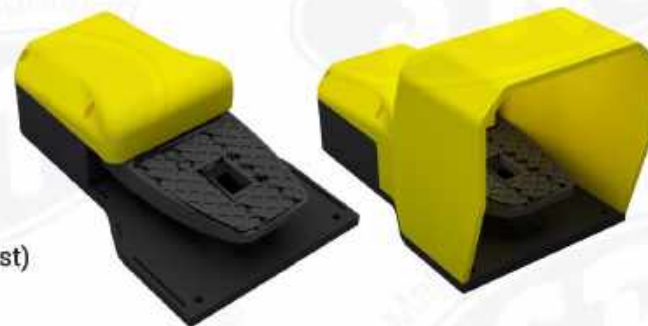
Metal Pendant Station (MPS-01-9000)



- Customization available from 4 buttons to 24 buttons and more
- Size wise and other customizations available in metal enclosure
- All the customizations available in the button as per your request

Foot Switch

Body Material : Unbreakable ABS/Nylon
Degree of Protection : IP-65
Rated Voltage : 500 V AC
Thermal Test Current : 10 Amp
Number of Contact : 1 to 4 (NO/NC as per your request)
Colour : Yellow & Black



Rubber Buffer



50 mm RBF-01-9000



100 mm RBF-02-9000



150 mm RBF-03-9000

IMAGE	GROOVE	SIZE / PRODUCT CODE							
		2x1	3x1	4x1	5x1	6x1	7x1	8x1	9x1
	U Type With Assembly	BOI-UC-000001	BOI-UC-000006	BOI-UC-000011	BOI-UC-000016	BOI-UC-000021	BOI-UC-000026	BOI-UC-000031	BOI-UC-000036
		BOI-UC-000002	BOI-UC-000007	BOI-UC-000012	BOI-UC-000017	BOI-UC-000022	BOI-UC-000027	BOI-UC-000032	BOI-UC-000037
		BOI-UC-000003	BOI-UC-000008	BOI-UC-000013	BOI-UC-000018	BOI-UC-000023	BOI-UC-000028	BOI-UC-000033	BOI-UC-000038
		BOI-UC-000004	BOI-UC-000009	BOI-UC-000014	BOI-UC-000019	BOI-UC-000024	BOI-UC-000029	BOI-UC-000034	BOI-UC-000039
		BOI-UC-000005	BOI-UC-000010	BOI-UC-000015	BOI-UC-000020	BOI-UC-000025	BOI-UC-000030	BOI-UC-000035	BOI-UC-000040
	Only U with stud	BOI-US-000001	BOI-US-000006	BOI-US-000011	BOI-US-000016	BOI-US-000021	BOI-US-000026	BOI-US-000031	BOI-US-000036
		BOI-US-000002	BOI-US-000007	BOI-US-000012	BOI-US-000017	BOI-US-000022	BOI-US-000027	BOI-US-000032	BOI-US-000037
		BOI-US-000003	BOI-US-000008	BOI-US-000013	BOI-US-000018	BOI-US-000023	BOI-US-000028	BOI-US-000033	BOI-US-000038
		BOI-US-000004	BOI-US-000009	BOI-US-000014	BOI-US-000019	BOI-US-000024	BOI-US-000029	BOI-US-000034	BOI-US-000039
		BOI-US-000005	BOI-US-000010	BOI-US-000015	BOI-US-000020	BOI-US-000025	BOI-US-000030	BOI-US-000035	BOI-US-000040

IMAGE	GROOVE	SIZE / PRODUCT CODE							
		2x1	3x1	4x1	5x1	6x1	7x1	8x1	9x1
	V Type With Assembly	BOI-VC-000001	BOI-VC-000006	BOI-VC-000011	BOI-VC-000016	BOI-VC-000021	BOI-VC-000026	BOI-VC-000031	BOI-VC-000036
		BOI-VC-000002	BOI-VC-000007	BOI-VC-000012	BOI-VC-000017	BOI-VC-000022	BOI-VC-000027	BOI-VC-000032	BOI-VC-000037
		BOI-VC-000003	BOI-VC-000008	BOI-VC-000013	BOI-VC-000018	BOI-VC-000023	BOI-VC-000028	BOI-VC-000033	BOI-VC-000038
		BOI-VC-000004	BOI-VC-000009	BOI-VC-000014	BOI-VC-000019	BOI-VC-000024	BOI-VC-000029	BOI-VC-000034	BOI-VC-000039
		BOI-VC-000005	BOI-VC-000010	BOI-VC-000015	BOI-VC-000020	BOI-VC-000025	BOI-VC-000030	BOI-VC-000035	BOI-VC-000040
	Only V with stud	BOI-VS-000001	BOI-VS-000006	BOI-VS-000011	BOI-VS-000016	BOI-VS-000021	BOI-VS-000026	BOI-VS-000031	BOI-VS-000036
		BOI-VS-000002	BOI-VS-000007	BOI-VS-000012	BOI-VS-000017	BOI-VS-000022	BOI-VS-000027	BOI-VS-000032	BOI-VS-000037
		BOI-VS-000003	BOI-VS-000008	BOI-VS-000013	BOI-VS-000018	BOI-VS-000023	BOI-VS-000028	BOI-VS-000033	BOI-VS-000038
		BOI-VS-000004	BOI-VS-000009	BOI-VS-000014	BOI-VS-000019	BOI-VS-000024	BOI-VS-000029	BOI-VS-000034	BOI-VS-000039
		BOI-VS-000005	BOI-VS-000010	BOI-VS-000015	BOI-VS-000020	BOI-VS-000025	BOI-VS-000030	BOI-VS-000035	BOI-VS-000040

Wireless Radio Remote Control

- 100% in house production
- Any time repairable (because of PCB is made by us.)
- 1 Year Mfg. Warranty
- 50 mtr. to 100 mtr. range available
- Waterproof ip65 and unbreakable
- Preplanned pick up and drop. (preplanned fix position of crane at various place)
- Any kind of modification available as per your requirements.
- You can also operate 2 or more crane from 1 remote (transmitter)
- Preplanned drop and pick up.
- Start Toggle + Itching + Alarm
- ITX and 2RX Tendon
- Magnet, 4 Toggle
- Truck Loader & Weagon Loader
- Single Common 2TX 2RX Tendon
- 1 remote 2 or more crane.
- Single Common & Multi Common

ROBUSRONIC



NEWEDGE



ROBUSTECH



Model No. 6+2
Single Speed



Model No. 6+2
Double Speed



Model No. 10+2
Single Speed



Model No. 10+2
Double Speed



Model No. 4+2
Single Speed



Model No. 2+2
Double Speed



Model No. 6+2
Double Speed



Model No. 10+2
Double Speed

Electric Crane Cable Carrier Small & Big

Electric Crane Cable Carrier Metal Small & Big



SRP-A-1 Wire Rope Dia 10mm Cable Clamping Dia 7mm to 14mm	SRP-A-2 Wire Rope Dia 15mm Cable Clamping Dia 16mm to 20mm	SRP-A-3 Wire Rope Dia 15mm Cable Clamping Dia 7mm to 14mm	SRP-A-4 Wire Rope Dia 10mm Cable Clamping Dia 16mm to 20mm	SRP-A-5 Wire Rope Dia 10mm Cable Clamping Dia 7mm to 14mm
--	---	--	---	--



SRP-B-7 Wire Rope Dia 10mm Round Cable Dia 36mm	SRP-B-8 Wire Rope Dia 15mm Round Cable Dia 36mm	SRP-C-1 Wire Rope Dia 10mm Single Cable Flat 15mm to 35mm	SRP-C-2 Wire Rope Dia 15mm Single Cable Flat 15mm to 35mm
--	--	--	--



SRP-A-7 Wire Rope Dia 10mm Round Cable Dia 6mm to 12mm	SRP-A-8 Wire Rope Dia 15mm Round Cable Dia 6mm to 12mm	SRP-B-1 Wire Rope Dia 10mm Round Cable Dia 26mm	SRP-B-2 Wire Rope Dia 10mm Big Round Cable Dia 36mm
---	---	--	--



SRP-C-3 Wire Rope Dia 15mm Single Cable Flat 15mm to 35mm	SRP-C-4 Wire Rope Dia 15mm Single Cable Flat 15mm to 35mm	SRP-D-1 Wire Rope Dia 10mm Cable Clamping Dia 13mm to 18mm	SRP-D-2 Wire Rope Dia 15mm Cable Clamping Dia 13mm to 18mm
--	--	---	---



SRP-B-3 Wire Rope Dia 15mm Round Cable Dia 26mm	SRP-B-4 Wire Rope Dia 15mm Big Round Cable Dia 36mm	SRP-B-5 Wire Rope Dia 10mm Round Cable Dia 26mm	SRP-B-6 Wire Rope Dia 15mm Round Cable Dia 26mm
--	--	--	--



SRP-E-1 Wire Rope Dia 10mm (Metal Wheel) Metal Cable Clamping Dia 15mm to 33mm	SRP-E-2 Wire Rope Dia 10mm Cable Flat / Round Dia 15mm to 33mm	SRP-E-3 Wire Rope Dia 15mm Cable Flat / Round Dia 15mm to 40mm	SRP-E-4 Wire Rope Dia 10mm (Metal Wheel) Cable Flat / Round Dia 15mm to 40mm
---	---	---	---

Electric Crane Cable Carrier Small & Big

I/T-Beam Cable Trolley



SRP-F-1

Wire Rope Dia
10mm (Metal Wheel)
Metal Cable Clamping Dia
13mm to 18mm



SRP-F-2

Wire Rope Dia
10mm (Metal Wheel)
Metal Cable Clamping Dia
7mm to 14mm



SRP-F-3

Wire Rope Dia
10mm (Metal Wheel)
Metal Single Cable Flat
26mm to 36mm



SRP-F-4

Wire Rope Dia
10mm (Metal Wheel)
Metal Single Cable Flat
15mm to 35mm



SRP-G-1

Wire Rope Dia
10/15mm
Cable Hook Dia
20mm Maximum



SRP-G-2

Wire Rope Dia
10mm (Metal Wheel)
Metal Cable Hook Dia
20mm Maximum



SRP-G-3

Wire Rope Dia
15mm
Metal Cable Hook Dia
20mm Maximum



SRP-G-4

Wire Rope Dia
10mm
Metal Cable Hook Dia
20mm Maximum



SRP-G-5

Wire Rope Dia
10mm (Metal Wheel)
Metal Cable Hook Dia
20mm Maximum



SRP-G-6

Wire Rope Dia
10mm (Metal Wheel)
Cable Hook Dia
20mm Maximum



SRP-G-7

Wire Rope Dia
10mm (Metal Wheel)
Metal Cable Hook Dia
20mm Maximum



SRP-G-8

Wire Rope Dia
10mm
Metal Cable Hook Dia
20mm Maximum



IBM-01-9000
55-65 mm



IBM-23-9000
75-100 mm



IBM-22-9000
75-100 mm



IBM-16-9000
70-80 mm (PVC Wheel)



IBM-04F-9000
70-80 mm



IBM-03-9000
55-80 mm



IBM-03A-9000
55-80 mm



IBM-03B-9000
55-80 mm



IBM-03C-9000
55-80 mm



IBM-03D-9000
55-80 mm



IBM-09-9000
55-80 mm



IBM-09A-9000
55-80 mm



IBM-09B-9000
55-80 mm



IBM-09C-9000
55-80 mm



IBM-09D-9000
55-70 mm



IBM-09E-9000
55-80 mm

- Quality : High Quality Material
- Usage : For Round & Flat Cable
- Ideal Usage : For I/T Beam of Over Head Cranes
- Size : 55 mm to 100 mm

Lever Limit Switch



Lever Limit Switch is used for heavy duty E.O.T. Cranes. Wagon shunting devices etc., to prevent over traveling or over traversing on power and control circuit up to 500 volts A.C. 50 Hz and 10 amps and 40 amps current rating.

Body Material : Aluminium Casting
 Enclosure : IP-54
 Mounting Position : Vertical
 Cable Entry : 3/4" Conduit
 Rated Voltage : 500 V
 Thermal Test Current : 40 Amp
 No. of Contacts : 2 / 3 / 4
 Mode of Operation : 2 way self resetting

Gravity / Counter Weight Limit Switch



Weight operated limit switches are used on control / power circuit of reversing drives so as to limit their rotation / movement within a predetermined position.

Body Material : Powder Coated Aluminium Die Cast
 Degree of Protection : IP-55
 Mounting Position : Floor
 Cable Entry : 2, 3/4" Conduit
 No. of Contacts : 2 / 3 / 4
 Contact : Double break silver cadmium
 Wire Connection : Screw Terminal
 Rated Voltage Insulation : 500 V A.C.
 Thermal Test Current : 10/40 Amps
 Operation : 720 Hours

Rotary Gear Limit Switch



Rotary Gear Limit Switch is basically consists of heavy duty worm gear drive. The worm gear unit is built in a cast housing fitted on main body of Limit Switch. The cam shaft which extends from behind the gear in to housing, accommodates the cams adjustable actuators which are fitted on the cams. These actuators strikes the contact finger of respective contacts.

Body Material : Aluminium Die Cast	Cable Entry : 3/4" Conduit
Degree of Protection : IP-55	Rated Voltage Insulation : 500 V A.C.
Gear Ratios : 1:48, 1:60	Thermal Test Current : 10/40 Amps
Drive : Worm Drive	No. of Contacts : 2, 4, 6 Maximum

Lever Type Limit Switch



Lever Limit Switch is used for heavy duty E.O.T. Cranes. Wagon shunting devices etc., to prevent over traveling or over traversing on power and control circuit up to 500 volts A.C. 50 Hz and 20 amps current rating.

Body Material : Unbreakable ABS/Nylon
 Degree of Protection : IP-65
 Mounting Position : Foot Mounted / Horizontal
 Rated Voltage : 500 V AC
 Thermal Test Current : 20 Amp
 No. of Contacts : 2
 Mode of Operation : 2 way self resetting

Cross Bar / Position Limit Switch



Cross Bar Limit Switch is a 4-position type control which operates at 90 degree rotations for the single as well as two speed motor control. It is equipped with rotary gears which ensures smooth rotation in between 12 to 200 rounds per minute. The outer casing of this component is made up by using best in class self-extinguished thermoplastic with double insulation with an ingress protection of IP65 to prevent damages from dust, oil, and other non-corrosive material. Cross Bar Limit Switch availed by us is capable to operate efficiently with a temperature range in between -25° to 55° degrees Celsius

Body Material : Unbreakable ABS/Nylon
 Degree of Protection : IP-65
 Mounting Position : Foot Mounted / Horizontal
 Rated Voltage : 500 V AC
 Thermal Test Current : 20 Amp

Rotary Gear Limit Switch



Rotary Gear Limit Switch is basically consists of heavy duty worm gear drive. The worm gear unit is built in a cast housing fitted on main body of Limit Switch. The cam shaft which extends from behind the gear in to housing, accommodates the cams adjustable actuators which are fitted on the cams. These actuators strikes the contact finger of respective contacts.

Body Material : Unbreakable ABS/Nylon	Rated Voltage Insulation : 500 V AC
Degree of Protection : IP-65	Thermal Test Current : 10 Amps
Gear Ratio : 1:25, 1:50, 1:100, 1:150, 1:200	No. of Contacts : 2 & 4
Drive Type : Worm Drive	



Industrial crane & control Equipments

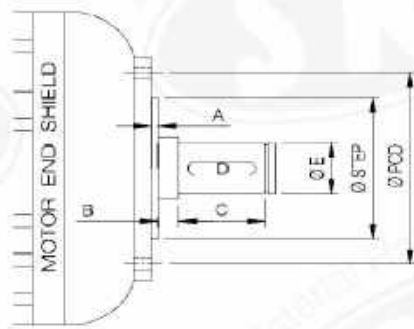
AC Brake



SRP CRANE CONTROLS (INDIA) PVT. LTD.'S electromagnetic AC fail safe spring applied (Power Off) safety brakes have strong and robust design. It is available with torque range 0.2 kg.m- 14 kg.m and featured by high performance cost ratio, long service life and low noise. It is widely used in various machines, installations and equipment.

*All Dimensions are in mm

H.P	RPM	FRAME SIZE	BRAKE MODEL	TQ. kg.m.	BRAKE O.D.	A	B	C	D	E	PCD	STEP
0.5	900	80	150	1.1	153	3	1	29	6X3.5	19	100/M8X4	#80
0.75	1400	80	140	0.6	133	2	1	25	6X3.5	19	100/M8X4	#80
1.0	1400	80	150	1.1	153	3	1	29	6X3.5	19	100/M8X4	#80
2.0	1400	90	150X	2.2	163	3	7	45	8X4	24	100/M8X4	#80
3.0	1400	90L	150X	2.2	153	3	7	45	8X4	24	100/M8X4	#80
3.0	1400	100	190	2.5	193	3	1	28	8X4	28	130/M8X4	#110
5.0	1400	100	190X	4.5	193	3	7	45	8X4	28	130/M8X4	#110
5.0	1400	112	190X	4.5	193	3	7	45	8X4	28	130/M8X4	#110
5.0	900	132	235	4.0	235	3	1	28	10X5	38	175/M10X4	#105
7.5	1400	112	190X	4.5	235	3	7	45	8X4	28	130/M8X4	#110
7.5	1400	132	235	4.0	235	3	1	28	10X5	38	175/M10X4	#105
7.5	900	132	235X	6.0	235	3	7	45	10X5	38	175/M10X4	#105
10.0	1400	132	235X	6.0	235	3	7	45	10X5	38	175/M10X4	#105
10.0	900	132	235X	6.0	235	3	7	45	10X5	38	175/M10X4	#105
12.5	1400	132	235X	6.0	235	3	7	45	10X5	38	175/M10X4	#105
12.5	1400	160	290	5.5	275	3	12	28	10X5	42	175/M10X4	#115
12.5	900	160	290X	11	275	3	12	45	12X6	42	175/M10X4	#115
15.0	1400	160	290X	11	275	3	12	45	12X6	42	175/M10X4	#115
20.0	1400	160	290XX	14	275	3	12	60	12X6	42	175/M10X4	#115
25.0	1400	160	290XX	14	275	3	12	60	12X6	42	175/M10X4	#115



AC Solenoid Brake



AC Solenoid Brake that are suitable for AC supply up to 440 volts, are available for a wide range of drum sizes from 100mm to 380mm Dia. We stand in the midst of prominent electromagnetic brakes suppliers based in India.

FEATURES

- Class F insulation of the coil
- Continuous & intermitted duty
- Long life & each of maintenance
- Ideally suited for applications such as : Cranes, Hoists, Machines, Valves, Conveyers

AC BRAKES

- 4 | 5.5 Inch Dia
- 7 Inch Dia

SOLENOIDS

- Type: SLB-25 mm stroke length
- Type: SLB-31.4 mm stroke length

Brake Coil

Small Size (220/440 V) - Use in 140 to 235 Model
Big Size (220/440 V) - Use in 290 Model



Thruster Brakes



Thruster brake is a device to retard the speed of moving machinery and to stop it accurately to the desired position. Our mill duty Thruster Brakes are suitable for 440 Volts, 3 Phase A.C. supply for a wide range of drum sizes, from 100mm to 600mm dia. Higher sizes can also be supplied against specific requirements.

Brake Model	Brake Drum Dia mm	Brake Tourqe		Brake Drum Dia mm	Brake Drum Dia mm	Brake Tourqe	
		kg-m	N-m			kg-m	N-m
100-18	100	6	60	300-34	300	62	620
150-18	150	9	90	400-46	400	90	900
160-18	160	9	90	400-68	400	110	1100
200-18	200	20	200	500-48	500	190	1900
250-18	250	35	350	500-68	500	290	2900
250-34	250	45	420				

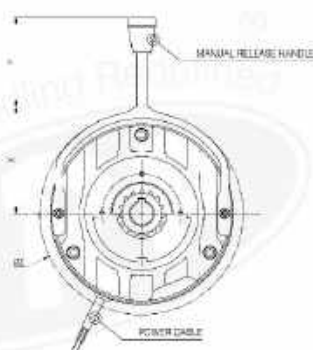
DC Brake



SRP CRANE CONTROLS (INDIA) PVT. LTD.'S electromagnetic AC fail safe spring applied (Power Off) safety brakes have strong and robust design. It is available with torque range 0.2 kg.m- 14 kg.m and featured by high performance cost ratio, long service life and low noise. It is widely used in various machines, installations and equipment.

*All Dimensions are in mm

SIZE	06	08	10	12	14	16	18	20	25	30
TORQUE MX Rat. (Nm)	04	08	16	32	60	100	150	260	400	600
INPUT POWER P20 (W)	20	25	30	40	50	75	85	100	110	140
MAXIMUM SPEED (RPM)	3000	3000	3000	3000	3000	3000	3000	3000	3000	3000
#A	87	106	105	150	165	190	217	264	302	302
#B	72	90	112	132	145	170	196	230	278	278
#C	3 x M4	3 x M5	3 x M6	3 x M6	3 x M8	3 x M8	6 x M8	6 x M10	6 x M10	6 x M10
#D	3 X 4.5	3 X 5.5	3 X 6.6	3 X 6.6	3 X 9	3 X 9	4 X 9	6 X 11	6 X 11	6 X 11
#E	30	45	56	62	74	84	100	120	150	150
#F	3 X 4.5	3 X 5.5	3 X 6.6	3 X 6.6	3 X 9	3 X 9	6 X 9	6 X 11	6 X 11	6 X 11
#G	20	30	40	45	55	65	75	90	120	120
L	18	20	20	25	30	30	35	40	50	50
R	6	7	9	9	11	11	11	11	12.5	16
S	36.3	42.8	48.8	54.9	66.3	72.5	83.1	97.6	106.7	120.7
T	MINIMUM	39.5	47	52.5	59	71.5	77.5	89	104.6	115.7
T	MAXIMUM	41.5	48.5	56	64.5	77	82.5	98	114	144.7
#H										
dH 7	STANDARD	10	14	19	24	28	34	42	48	55
dH 7	MAXIMUM	11	15	24	28	30	35	48	55	70
AIR GAPE	0.200	0.200	0.200	0.300	0.300	0.300	0.400	0.400	0.500	0.500
X										
Y										
#Z										
WEIGHT (kg)	1.300	2.200	2.750	5.750	8.250	11.720	18.160	27.580	42.560	48.560



Model No.	Rated Thrust (kg)	Output Stroke (S)
18 kg	18	51
34 kg	34	51
46 kg	46	51
68 kg	68	76

Electro-Hydraulic Thruster is a device which develops linear thrust (or force) required to operate the desired mechanism. The Thrusters are widely used to actuate thruster shoe brakes, commonly used in material handling equipments.

Master Controller



Body Material : M.S. Sheet
 Enclosure : IP-44 / IP-54
 Mounting Position : Horizontal / Vertical
 Rated Voltage : 500 V
 Cable Entry : 2 x 20 / 2 x 26 Conduit
 Thermal Test Current : 40 Amp
 Frequency of Operation : 1000 switching per hour
 No. of Contacts : 24 Maximum
 No. of Step : 6-0-6 Maximum
 Optional Arrangement : Spring Return / Deadman's Handle
 Contact Material : Silver Cadmium

Anti-Collision Device



0 - 3 Mtr. BOI-AC-000001
 0 - 10 Mtr. BOI-AC-000002

Model No.	ACD-03	ACD-10
Supply Voltage AC	230V / 110 V (User Selectable)	230V / 110 V (User Selectable)
No. of Set Points	Single	Single
No. of Output/Relay	Single Relay / Single Output	Single Relay / Single Output
Contacts Rating	3 Amps (Max.) at 220 V AC	3 Amps (Max.) at 220 V AC
Dimensions in mm	180 x 145 x 55	180 x 145 x 55
Reflector Size in mm	130 x 75	130 x 75
Housing	Metal Housing	Metal Housing
Range	0 - 3 Mtr.	0 - 10 Mtr.

Plastic Unbreakable Push Button Unit

Water Proof
1 Year Warranty
Easy Mounting



Model No. SRP ES-01
 Mushroom Type Emergency Switch
 MES-01-9000

Water Proof
1 Year Warranty
Easy Mounting



Model No. SRP ES-02
 Flat Type Emergency Switch
 FTE-01-9000



Model No. SRP 09
 Emergency Switch Unit
 ESU-01-9000



Model No. SRP 02
 1 Way with Push Button Unit
 PBU-01-9000



Model No. SRP 04
 2 Way with Push Button Unit
 PBU-02-9000



Model No. SRP 06
 3 Way with Push Button Unit
 PBU-03-9000

3 Phase DSL Indicating Lamp



INL-01-9000

Operation Temperature	20° to + 85° C (optional on demand)
Operating Power	4.5 Watts / Phase
Supply Voltage	4 Terminal wiring with one common Neutral and three phase wiring
Color	Optional RYB or RYG



Model No. SRP 10
 Indicator Unit
 INU-04-9000

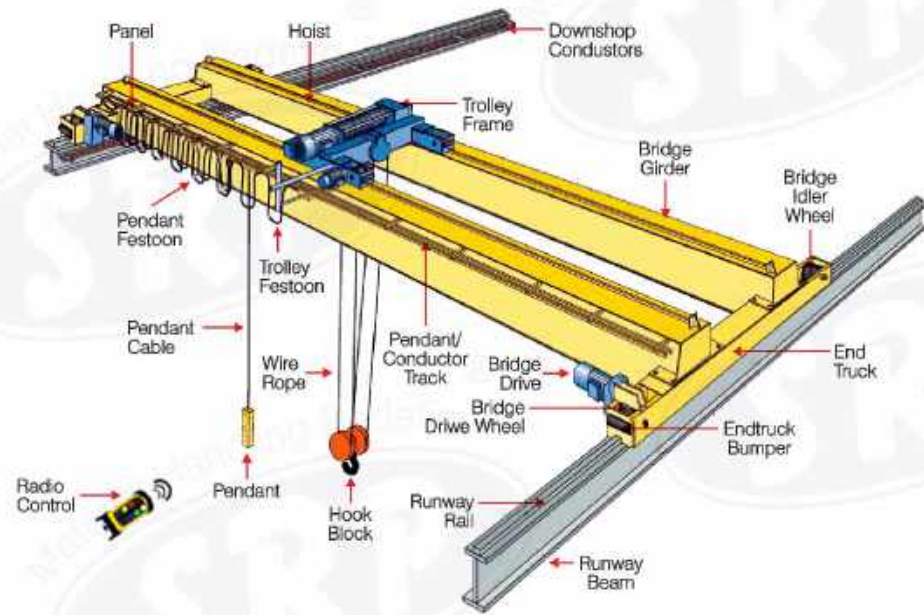


Model No. SRP 11
 Push Button 22.5 mm



Industrial crane & control Equipments

Crane Arrangement Diagram



Our Global Presence



100% Products we are Manufacturing in **India** in our Plant

Our Valuable Clients

